

MATRIX® Elan Headrest



The Matrix Elan Headrest is incredibly compact and lightweight but remains highly adjustable to provide just the right support and comfort for your needs. The innovative hardware on the Elan doesn't require tools to move any of the six adjustment points and it even includes a swing away function to assist with transfers.

The initial set up of the headrest is quick and efficient with just a single tool and the multi-disk locking feature ensures superior holding strength and reliability.



The high density moulded foam provides immersion, protection and comfort while the aluminium plates can be hand-shaped to fit the individual's needs.

The two post options (380mm | 280mm) can be retro-fitted to Matrix receivers and are compatible with a number of other headrest receivers.



Complete solution for support and positioning of head and neck

Quick and easy tool-less adjustments

6-point adjustment system

3 pad options

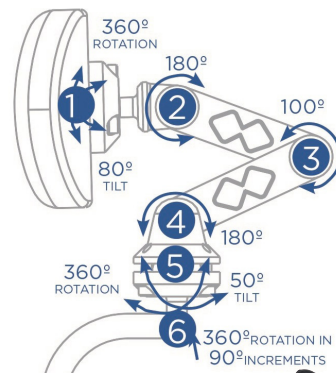


Flexible aluminium insert - can be shaped by hand

Two easy to remove cover options (Startex | infection control)

Compatible with all Matrix backrests

45% lighter than similar competitors' pads



Range of adjustable points provide positioning options to suit any users' needs



Hardware	Ellipse Pad			Occipital Pad		4 point Pad
380mm 280mm	150 x 90mm	250 x 130mm	360 x 130mm	230 x 180mm	310 x 200mm	280 x 260mm