

HEAD SUPPORT SOLUTIONS

 WHITMYER®



Superior Clinical Support.

WHITMYER® is a line of head supports and accessories that addresses the range of user needs from basic support to multiple-point control.

A variety of pad shapes and sizes are available in single, two-pad or three-pad systems with each pad designed to address a specific support purpose.

AUSTRALIA

HEAD SUPPORTS



PLUSH



SPECIALTY PLUSH



CONTOUR CRADLE



S.O.F.T. SINGLE
SUB-OCCIPITAL



S.O.F.T. DUAL SUB-OCCIPITAL
Adult & Pediatric



HEADS UP



CUDDLES INFANT

HARDWARE SYSTEMS



AXYS



ONYX



LINX



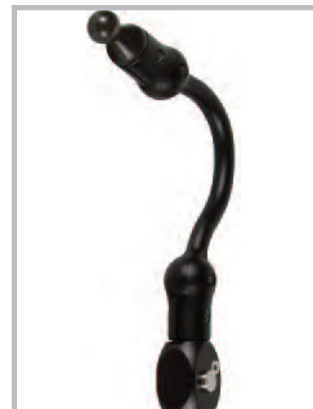
LINX²



PRO



COBRA



COBRA FLIP-BACK

TABLE OF CONTENTS

HEAD SUPPORTS

PLUSH Single Pad Headrest	4
SPECIALTY PLUSH Single Pad Headrest	6
CONTOURED CRADLE Single Pad Headrest	8
S.O.F.T. SINGLE SUB-OCCIPITAL	10
S.O.F.T. DUAL SUB-OCCIPITAL Adult & Pediatric	12
CUDDLES INFANT Contoured Cradle or Triple Pad Headrest	14
HEADS UP Anterior Head Support System	16

HARDWARE SYSTEMS

AXYS	18
ONYX	19
LINX	20
LINX2	21
PRO	22
COBRA	23
COBRA Flip-Back	24

ORDERING GUIDE

PLUSH Single Pad Headrest	26
SPECIALTY PLUSH Single Pad Headrest	27
CONTOURED CRADLE Single Pad Headrest	28
S.O.F.T. SINGLE SUB-OCCIPITAL	29
S.O.F.T. DUAL SUB-OCCIPITAL Adult & Pediatric	30
CUDDLES INFANT Contoured Cradle or Triple Pad Headrest	31
HEADS UP Anterior Head Support System	32

ACCESSORIES

LATERAL FACIAL SUPPORTS	33
ANTERIOR SUPPORT OPTIONS	34
WHITMYER TOOLS	34
MODIFIED MOUNTING OPTIONS	35

PLUSH

PLUSH Single Pad Headrest Systems utilize dual density foam layers on a contoured, curved panel. These single pad headrests are easily adjustable and accommodate changes or inconsistencies in body positioning. Its unique “cupping” shape provides posterior support with a high degree of comfort and safety. This basic headrest is ideal for tilt/recline, and has the ability to add lateral support, anterior support, or switches as client’s needs change. The larger size pads facilitate safety for clients with behavioral issues and active movements.



Foam: Dual density laminate:

Support layer - 5/8” thick, latex free closed cell ethylene/propylene rubber blend with laminated self-adhesive flannel loop material for easy foam replacement (black).

Comfort layer: 3/4” thick, open cell polyurethane contact foam (white).

Panel: Formed epoxy e-coated steel panel with laminated self-adhesive hook material for easy foam replacement.

Collar: Universal 3/4” radius split collar, includes vinyl collar cover.

Cover: Locking zippered Lycra cover, combination neoprene with laminated Lycra outer fabric and nylon inner fabric (black).

Cover Options: Lycra fabric is standard. Cover options must be specified at time of order (black).

Dartex® Reversed: Locking zippered vinyl style polyurethane coated fabric cover. Coating protected against microfungi and bacteria. Water resistant and breathable (black).

Fleece: Locking zippered, natural lamb’s wool cover (black). Fleece covers are sold separately as an upgrade.



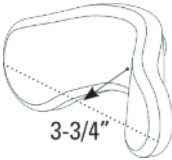
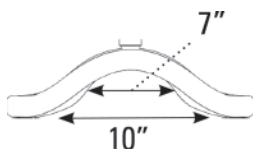
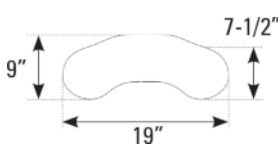
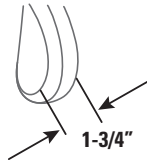
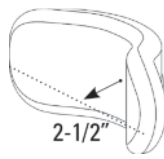
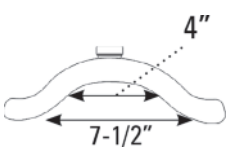
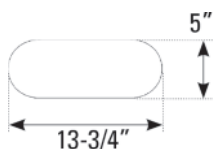
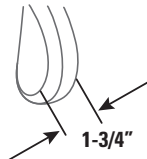
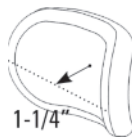
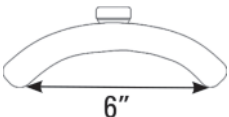
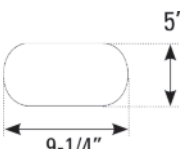
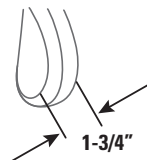
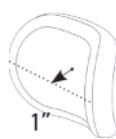

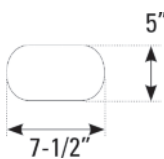
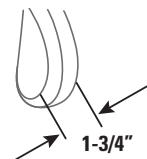


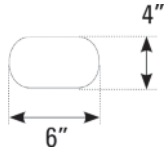
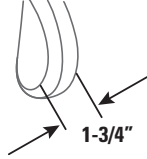
Check out the PLUSH's versatility and adjustability in action.

www.YouTube.com/user/JAYCushionsandBacks
Playlist: "Whitmyer Headrest Adjustment Systems"



View now!

PLUSH Pads

<p>19" PLUSH P1900</p>	 <p>3-3/4"</p>	 <p>7" 10"</p>	 <p>9" 7-1/2" 19"</p>	 <p>1-3/4"</p>
<p>14" PLUSH P1400</p>	 <p>2-1/2"</p>	 <p>4" 7-1/2"</p>	 <p>5" 13-3/4"</p>	 <p>1-3/4"</p>
<p>10" PLUSH P1000</p>	 <p>1-1/4"</p>	 <p>6"</p>	 <p>5" 9-1/4"</p>	 <p>1-3/4"</p>
<p>8" PLUSH P800</p>	 <p>1"</p>	 <p>5-1/2"</p>	 <p>5" 7-1/2"</p>	 <p>1-3/4"</p>
<p>6" PLUSH P600</p>	 <p>1"</p>	 <p>4-1/2"</p>	 <p>4" 6"</p>	 <p>1-3/4"</p>

SPECIALTY PLUSH

SPECIALTY PLUSH Single Pad Headrest Systems are formerly individual solutions that are now offered as part of the standard product line including Adjust-A-PLUSH (shown below), Dual Mount and 12" Narrow pads.



ADJUST-A-PLUSH

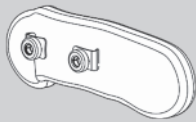
Designed for clients who exhibit poor head control and require lateral support on at least one side to maintain an upright head



posture. Assists in controlling passive and active lateral cervical flexion. Suitable for clients with poor targeting who require some degree of lateral confinement in their headrest. The two tapered locking joints can be narrowed or widened. Zippered cover hides adjustment points.

DUAL MOUNT PLUSH

An extra mount provides added strength making this head support ideal for high tone, high extension clients. The pad is offered in 19" and 14" widths.



NARROW PLUSH

Offers low profile support in a 12" width.



Check out the Specialty PLUSH's versatility and adjustability in action.

www.YouTube.com/user/JAYCushionsandBacks
Playlist: "Whitmyer Headrest Adjustment Systems"



View now!

Specialty PLUSH Pads

<p>19" Dual PLUSH P1920</p>					
<p>14" Dual PLUSH P1420</p>					
<p>Narrow PLUSH P1205</p>					
<p>Adjust-A-PLUSH Standard: P8088 Narrow: P8044 Medium: P8066</p>		<p>Standard Adjustment: 8" - 18" 5"</p>	<p>Narrow Adjustment: 6" - 14" 3"</p>	<p>Medium Adjustment: 7" - 16" 4"</p>	

Specialty PLUSH C-PLUSH Pads

<p>Large C-PLUSH P4010</p>				
<p>Medium C-PLUSH P3010</p>				
<p>Small C-PLUSH P2010</p>				

NOTE: Measurements may vary due to foam variance.

CONTOURED CRADLE

CONTOURED CRADLE Head Support's positioning success is derived from its unique anatomic shape. Generically designed to cradle the occiput and provide lateral cervical support, this unit supplies a high degree of comfort and positioning in a simple-to-adjust head support. A single rotational collar adjustment allows positioning for maximum support surface contact. Four pad sizes fit infant to adult. Add lateral facial pads, switches, and/or anterior support for more versatility.



Foam: Latex free closed cell ethylene/propylene rubber blend with laminated self-adhesive flannel loop material for easy foam replacement.

Panel: Formed epoxy e-coated steel panel with laminated self-adhesive hook material for easy foam replacement.

Collar: Universal 3/4" radius split collar, includes vinyl collar cover.

Cover: Locking zippered lycra cover, combination neoprene with laminated lycra outer fabric and nylon inner fabric (black).

Cover Options: Lycra fabric is standard. Cover options must be specified at time of order (black).

Dartex® Reversed: Locking zippered vinyl style polyurethane coated fabric cover. Coating protected against microfungi and bacteria. Water resistant and breathable (black).

Fleece: Locking zippered, natural lamb's wool cover (black). Fleece covers are sold separately as an upgrade.




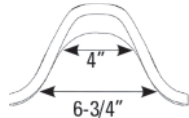
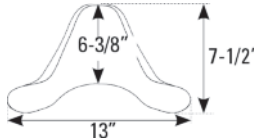


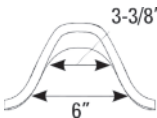
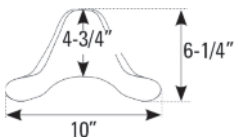


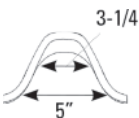
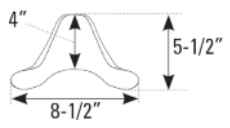


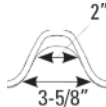


Check out the CONTOUR CRADLE's versatility and adjustability in action.

www.YouTube.com/user/JAYCushionsandBacks
Playlist: "Whitmyer Headrest Adjustment Systems"



View now!

Contoured Cradle Pads

<p>Large P400</p>				
<p>Medium P300</p>				
<p>Small P200</p>				
<p>Infant INFT200</p>				

S.O.F.T. SINGLE SUB-OCCIPITAL

S.O.F.T. Single Sub-Occipital Head Supports supply sub-occipital and proximal lateral cervical support via a single curved sub-occipital pad. Unique to our single sub-occipital system is the independent anterior/posterior occipital pad movement. Consistent, repeatable positioning of the client is required for best performance. The addition of lateral facial pads, switches, and anterior supports increase this system's versatility.



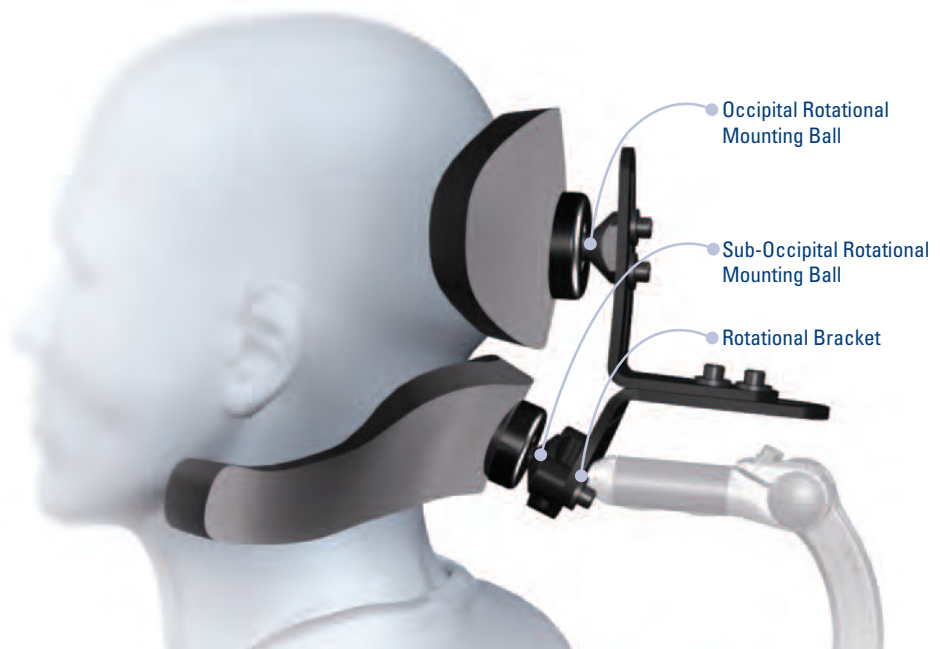
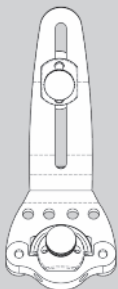
SINGLE SUB-OCCIPITAL BASE PLATE ASSEMBLY

The universal design of the base plate assembly fits on to the horizontal rod of any Whitmyer® mounting system.

The rotational collar mount allows a full range of tilt and rotation for the complete base plate assembly.

Mounted on the occipital bracket, the occipital mount ball allows height and rotational adjustment.

Independent anterior/posterior adjustment is achieved through the slotted design of the occipital mount.



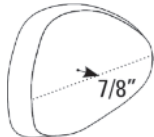
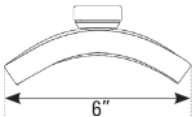
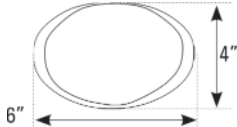
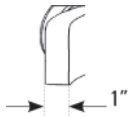
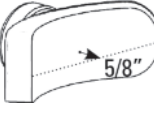
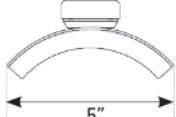
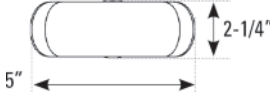
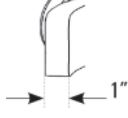
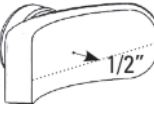
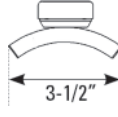

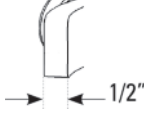


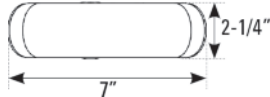
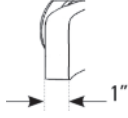

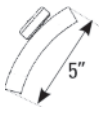

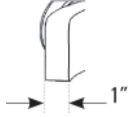
Check out the S.O.F.T.'s versatility
and adjustability in action.

www.YouTube.com/user/JAYCushionsandBacks
Playlist: "Whitmyer Headrest Adjustment Systems"



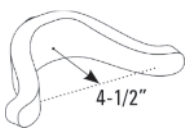

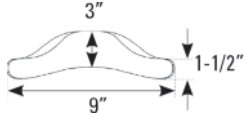

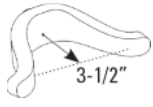
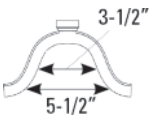
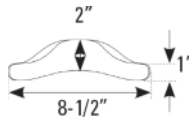

View now!

Occipital Pads

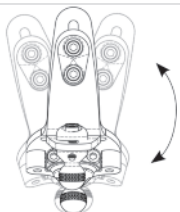
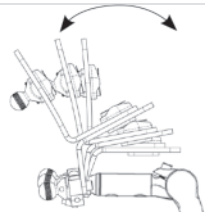
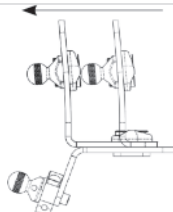
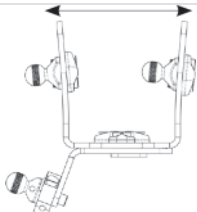
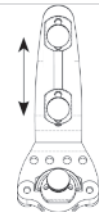
Adult P600				
Pediatric P500				
Infant INFT100				
Long T-Bar PL20				
Standard T-Bar PL15				

NOTE: PL15 and PL20 pads are shipped flat. Both pads can be shaped by hand.

Single Sub-Occipital Pads

Single Sub-Occipital PSS01				
Single Sub-Occipital PSS03				

Single Sub-Occipital Base Plate Assembly Adjustment

M9275					
	30° Rotational	30° Forward Rotation	2 1/4" Rearward	5" Mount Reversed	2" Height

NOTE: Measurements may vary due to foam variance.

S.O.F.T. DUAL SUB-OCCIPITAL ADULT & PEDI

S.O.F.T. Dual Sub-Occipital Head Supports solve the most challenging head positioning issues. This patented device combines two width and rotationally adjustable sub-occipital pads with an adjustable occipital pad for independent anterior/posterior movement. The added adjustability of the individual sub-occipital pads allows adjustment to asymmetrical postures and deformities. This unique pad configuration supplies maximum occipital and proximal lateral cervical support for more aggressive positioning and comfort. Consistent, repeatable positioning of the client is required for best performance. Attaching lateral facial pads, switches, and/or anterior supports adds to this system's versatility.



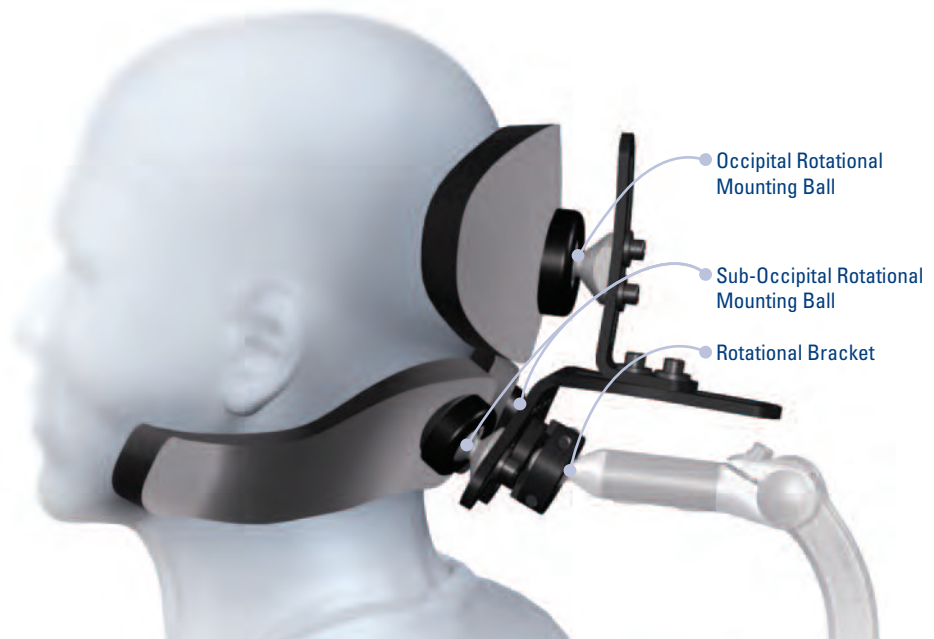
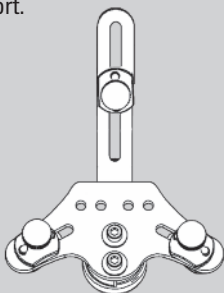
DUAL SUB-OCCIPITAL BASE PLATE ASSEMBLY

The universal design of the base plate assembly fits on to the horizontal rod of any Whitmyer® mounting system.

Designed for three pad configurations, the rotational collar mount allows a full range of tilt and rotation for the complete base plate assembly.

Width adjustable sub-occipital rotational mounting balls ensure even pressure distribution when positioning the pads.

The height adjustment of the rotational mount ball, along with the separate depth adjustability of the occipital mount ensure correct anatomical fit for correction/control and support.



Check out the S.O.F.T.'s versatility
and adjustability in action.

www.YouTube.com/user/JAYCushionsandBacks
Playlist: "Whitmyer Headrest Adjustment Systems"



View now!

Occipital Pads

Refer to S.O.F.T. SINGLE SUB-OCCIPITAL section on previous page.

Dual Sub-Occipital Pads

<p>Size 1 PS01R / PS01L</p>				
<p>Size 3 PS03R / PS03L</p>				
<p>Size 2 PS02R / PS02L</p>				
<p>Size 4 PS04R / PS04L</p>				
<p>Infant INFTR / INFTL</p>				

Adult and Pediatric Base Plate Assembly Adjustment

<p>M9375</p>					
	30° Rotational	30° Forward Rotation	2 1/4" Rearward	5" Mount Reversed	2" Height

NOTE: Measurements may vary due to foam variance.

CUDDLES INFANT

The CUDDLES INFANT uses the same pads and support assembly as the S.O.F.T. Dual Sub-Occipital Infant but provides a unique soft and gentle cover.



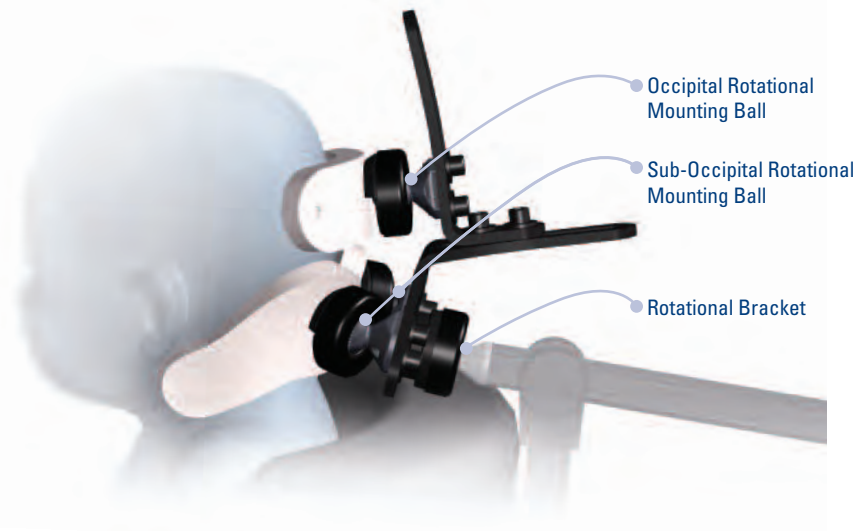
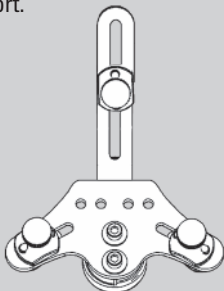
DUAL SUB-OCCIPITAL BASE PLATE ASSEMBLY

The universal design of the base plate assembly fits on to the horizontal rod of any Whitmyer® mounting system.

Designed for three pad configurations, the rotational collar mount allows a full range of tilt and rotation for the complete base plate assembly.

Width adjustable sub-occipital rotational mounting balls ensure even pressure distribution when positioning the pads.

The height adjustment of the rotational mount ball, along with the separate depth adjustability of the occipital mount ensure correct anatomical fit for correction/control and support.




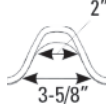


Check out the CUDDLES INFANT's versatility and adjustability in action.

www.YouTube.com/user/JAYCushionsandBacks
Playlist: "Whitmyer Headrest Adjustment Systems"

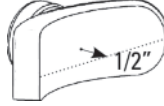
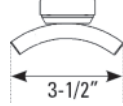
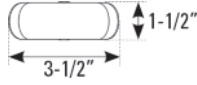
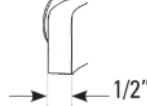


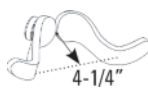
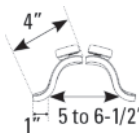
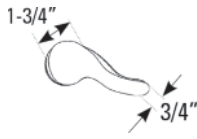

View now!

Cuddles Infant Contoured Cradle Pad

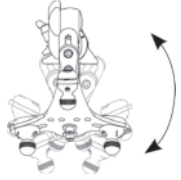
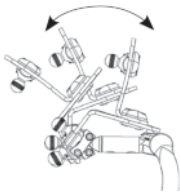


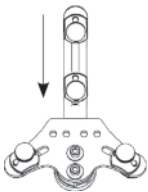
Infant				
CCS1				

Cuddles Infant S.O.F.T. Occipital and Dual Sub-Occipital Pads

Infant				
INFT				

Infant				
INFTR / INFTL				

Adult and Pediatric Base Plate Assembly Adjustment

M9375					
	30° Rotational	30° Forward Rotation	2 1/4" Rearward	5" Mount Reversed	2" Height

HEADS UP

The HEADS UP is an innovative head support designed to maximize clients' interaction with their environment by providing anterior, posterior and lateral support of the head and neck. It features swing-out, adjustable arms to easily accommodate client transfers and varying client presentations.



ANTERIOR AND LATERAL STABILIZATION OF SHOULDERS AND TRUNK FOR OPTIMAL HEAD CONTROL

- Innovative anterior stabilization arms
- Swing-out Arms for easy transfer that maintain head support
- Optional Fixed-Arm version for increased stability
- Lower lateral adjustments to accommodate varying body shapes

TWO DIFFERENT INDUSTRY-PROVEN POSTERIOR SUPPORT OPTIONS:

- Contoured Cradle
- Single Sub-Occipital



CHIN PROMPT INCLUDED



Check out the HEADS UP's versatility and adjustability in action.

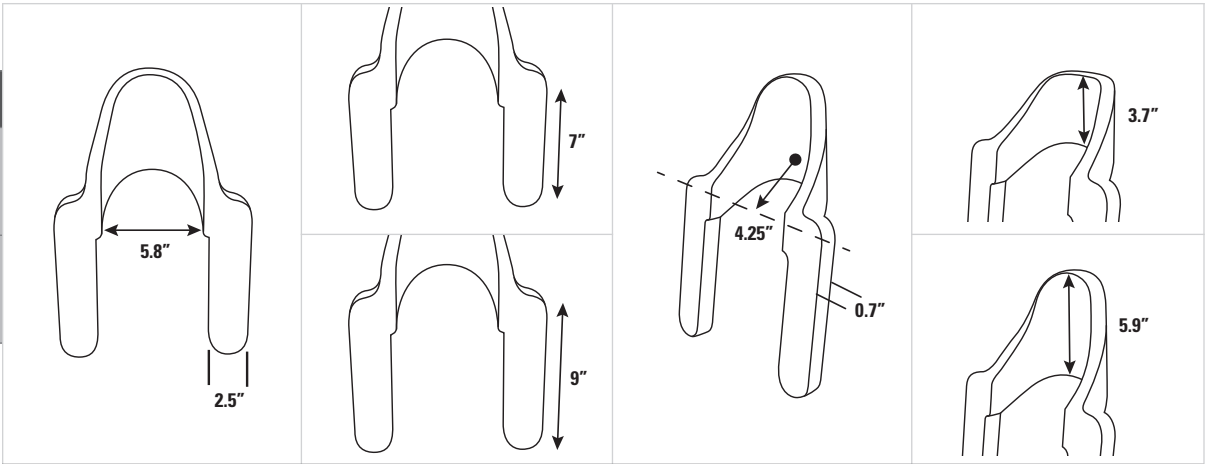
www.YouTube.com/user/JAYCushionsandBacks
Playlist: "Whitmyer Headrest Adjustment Systems"



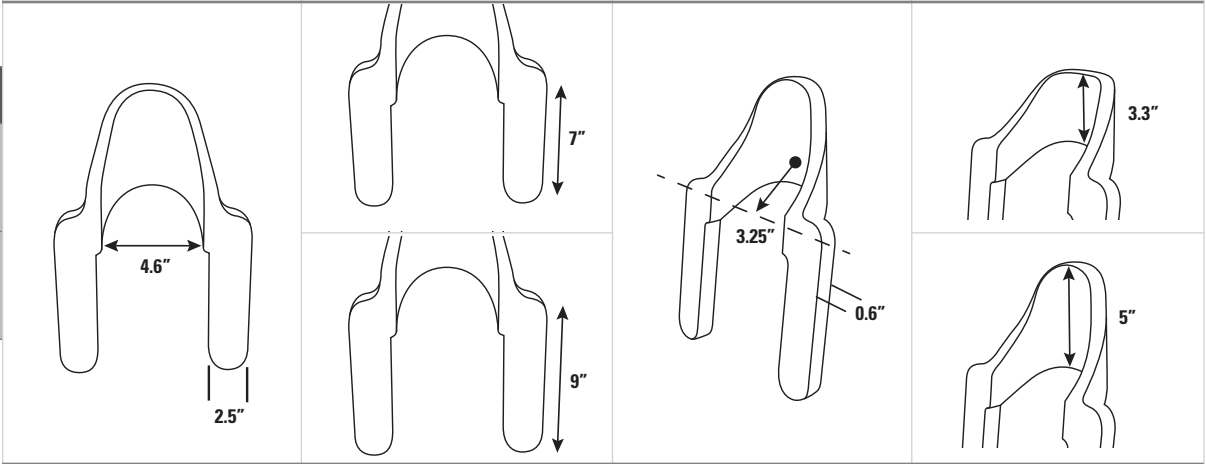
View now!

Heads Up Pads

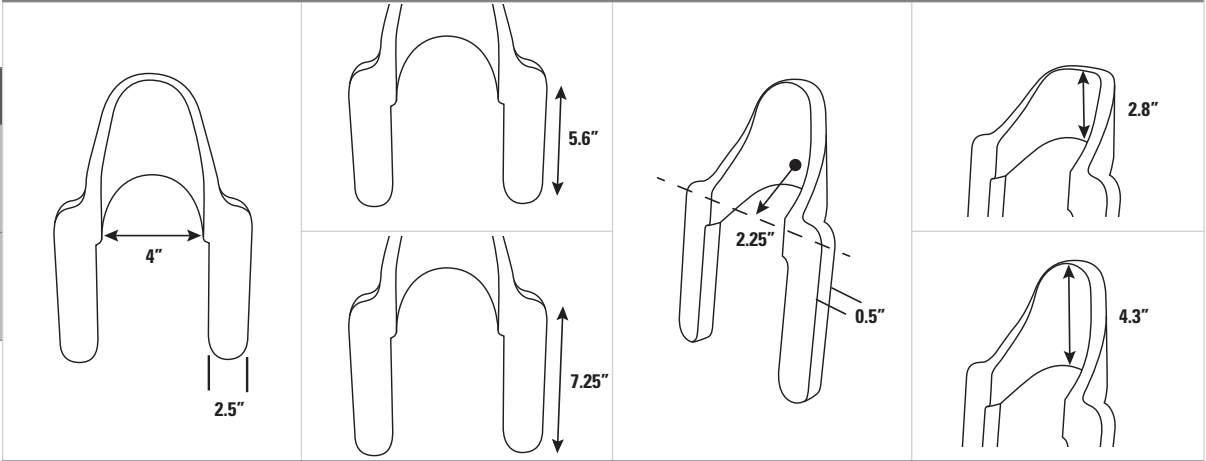
Large
Short
Long / Tall



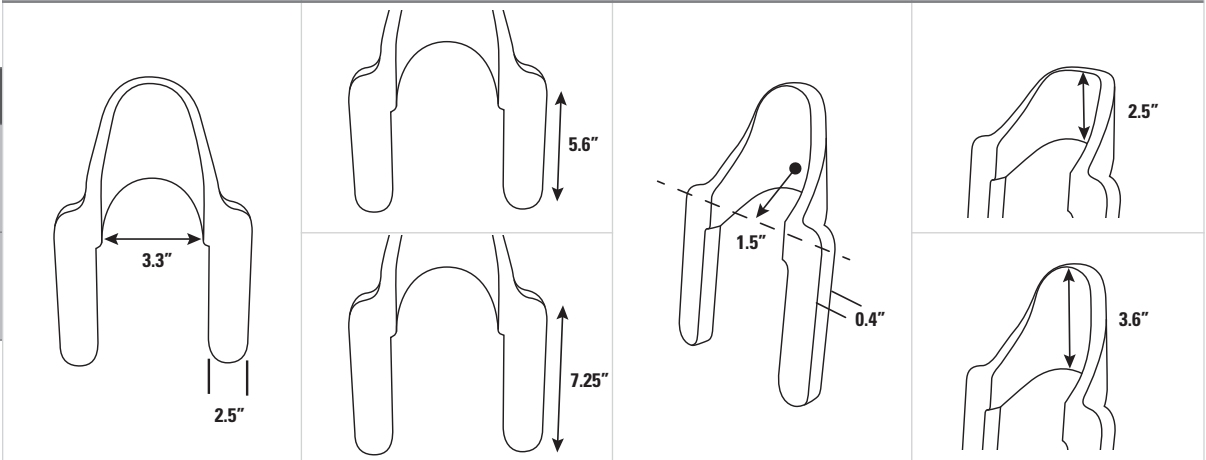
Medium
Short
Long / Tall



Small
Short
Long / Tall



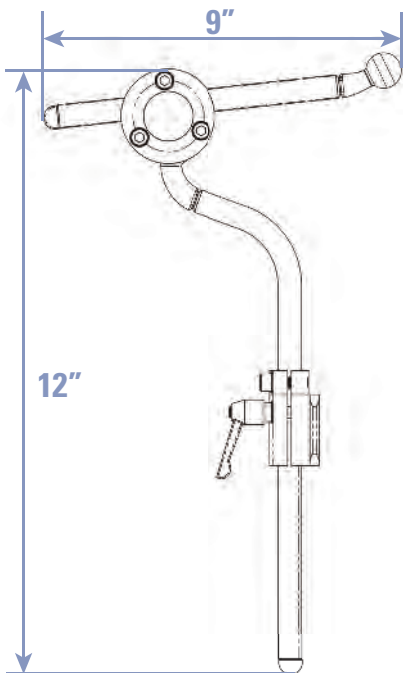
Early Intervention
Short
Long / Tall



NOTE: Measurements may vary due to foam variance.

AXYS

AXYS is a compact mounting system that features a black chrome finish combined with a 1/2" steel square rod. It was designed for rigorous applications, ease of adjustment, and simple modifications.



SPECIAL CONSIDERATIONS:


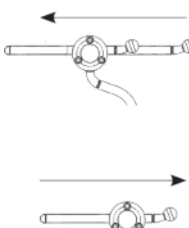
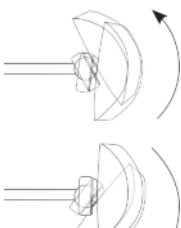
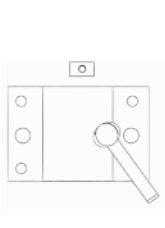
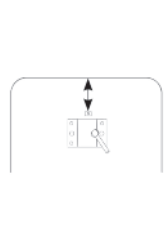
- Rotate horizontal rod 180° for increased pad angle adjustment.
- Rearward off-set vertical rod available for users with thinner backs.
- Square vertical rod interface available.

Material: Steel
Finish: Black chrome plated

Profile/Size: 1/2" Square Rod
6" horizontal rod & 12" vertical rod

Adjustment Point: Fixed collar clamp at vertical/horizontal rod interface
Measurement changes when applying base plates:
add 1 3/4" for S.O.F.T. base plate

Mounting Brackets:
Detachable: M2500
Swingaway: M5500
Material: Aluminum extrusion
Finish: Black anodized

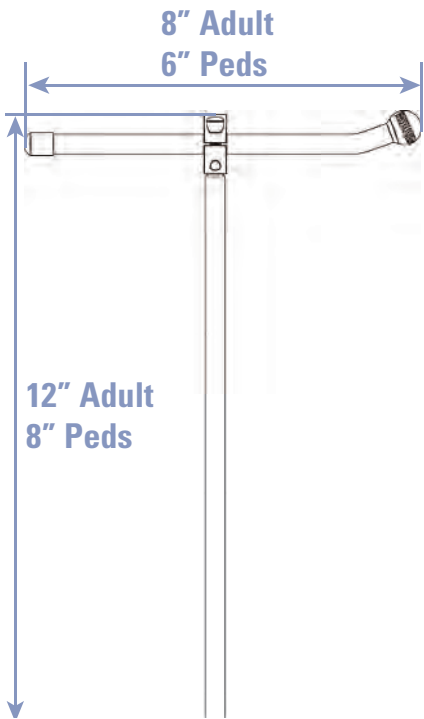
				
12" Height	6" Horizontal Depth	30° Pitch	Mounting Holes 1 7/8" to 2" on center	Mount Placement 3" min from top of chair back

Part #: AX7010

Standard

ONYX

ONYX is a compact mounting solution that features a black chrome finish combined with a small profile 7/8" steel rod. It was designed for rigorous applications, ease of adjustment, and simple modifications.



SPECIAL CONSIDERATIONS:

- Rotate horizontal rod 180° for increased pad angle adjustment.
- Rearward off-set vertical rod available for users with thinner backs.
- Square vertical rod interface available.

Material: Steel
Finish: Black chrome plated

Profile/Size: 7/16" Rod
Adult: 8" horizontal rod & 12" vertical rod
Pediatric: 6" horizontal rod & 8" vertical rod

Adjustment Point: Fixed collar clamp at vertical/horizontal rod interface. Measurement changes when applying base plates: add 1 3/4" for S.O.F.T. base plate add 1 1/4" for SSO

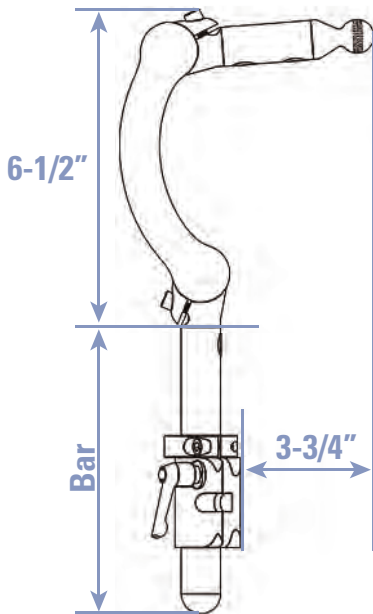
Mounting Brackets:
Detachable: M2100
Swingaway: M5100
Material: Aluminum extrusion
Finish: Black anodized

	Height	Horizontal Depth	Pitch	Mounting Holes	Mount Placement
Adult	11"	1" min 8" max	30°	1 7/8" to 2" on center	3" min from top of chair back
Pediatric	7"	1" min 6" max	30°	1 7/8" to 2" on center	3" min from top of chair back

Part # Adult: OX7010
Part # Peds: OX7030

LINX

LINX is a contemporary styled mounting hardware that combines two simple, unique points of adjustment which allow full anterior/posterior fluid movement, creating an infinite range of support surface placement. It features satin black tubing with contrasting polished aluminum clamps and knurled mounting ball ensures stay-in-place adjustments.



Part #: LX7000 (10" Bar)
 LX8000 (8" Bar)
 LX7804 (4" Bar)
 LX7815 (15" Bar)

Standard

SPECIAL CONSIDERATIONS:

- No rearward protrusion.
- Two easily accessible adjustment points simplify the fitting process.

Material: Extruded & cast aluminum and stainless steel

Finish: clamps, clear anodized – knurled ball, clear polished, tubes, black mat anodized

Profile/Size: 7/8" tubing

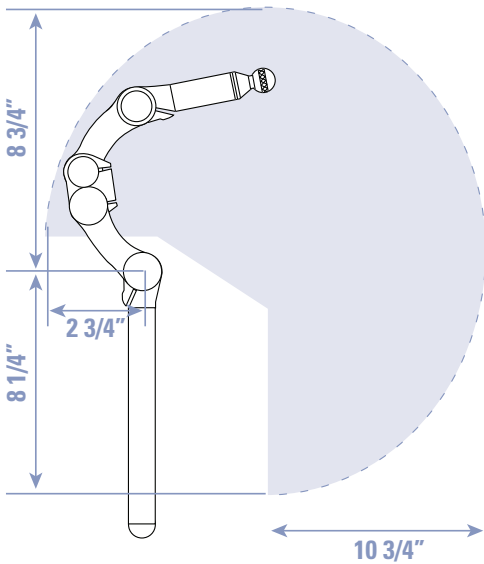
Adjustment Point: Three piece interlocking pivot system
 Measurement changes when applying base plates:
 add 1 3/4" for S.O.F.T. base plate

Mounting Brackets:
 Detachable: M2300
 Swingaway: M5300
 Material: Aluminum extrusion
 Finish: Black anodized

7" Height w/10" Bar	Horizontal Depth 8 1/2" Forward 3/4" Rearward	30° Pitch	Mounting Holes 1 7/8" to 2" on center	Mount Placement 6" min from top of chair back

LINX²

Built off the proven Linx design the LINX² is a highly durable and universal mounting hardware that offers three unique points of adjustment. This unique adjustment range allows for greater anterior/posterior movement creating an infinite range of support surface placement without sacrificing performance or durability.



SPECIAL CONSIDERATIONS:

- No rearward protrusion.
- Four adjustment points simplify the fitting process.

Material: Extruded & cast aluminum and stainless steel

Finish: clamps, clear anodized – knurled ball, clear polished, tubes, black mat anodized

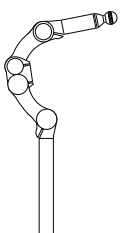
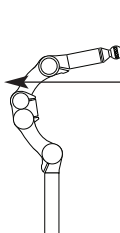
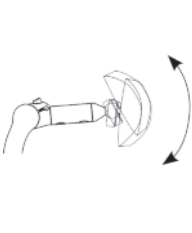

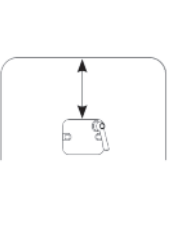
Profile/Size: 7/8" tubing

Adjustment Point: Five piece interlocking pivot system
Measurement changes when applying base plates: add 1 3/4" for S.O.F.T. base plate

Mounting Brackets:
Detachable: M2300
Swingaway: M5300
Material: Aluminum extrusion
Finish: Black anodized

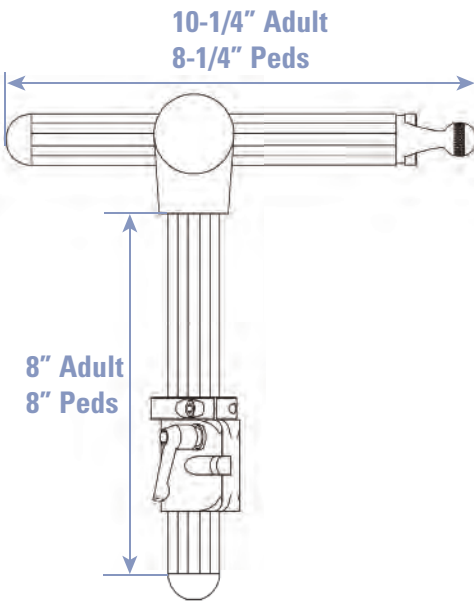
- Part #: LX27000 (10" Bar)
- LX28000 (8" Bar)
- LX27804 (4" Bar)
- LX27815 (15" Bar)

Standard

				
10" Height	Horizontal Depth 10 3/4" Forward 2 3/4" Rearward	30° Pitch	Mounting Holes 1 7/8" to 2" on center	Mount Placement 6" min from top of chair back

PRO

The PRO Mounting System is a proven hardware option for demanding applications. This mounting system features 1.25" aluminum extrusion and is ideal for use when client strength or strong tonal patterns are an issue.



SPECIAL CONSIDERATIONS:

- Rearward Protrusion: horizontal bar easily trimmed
- Rearward off-set bracket available for thinner backs

Contact customer service for individual vertical and horizontal bar lengths.

Material: Aluminum
Finish: Black anodized

Profile/Size: Adult & Pediatric 1 1/4" user-matched extrusion

Adjustment Point: Horizontal pivot
Measurement changes when applying base plates:
add 1 3/4" for S.O.F.T. base plate

Mounting Brackets:
Detachable: M2200
Swingaway: M5200
Material: Aluminum
Finish: Black anodized

- Part # Adult: PRC7010
- Part # Peds: PRC7030
- Part #: PRC7070
- Part #: PRC7012
- Part #: PRC7804
- Part #: PRC7812

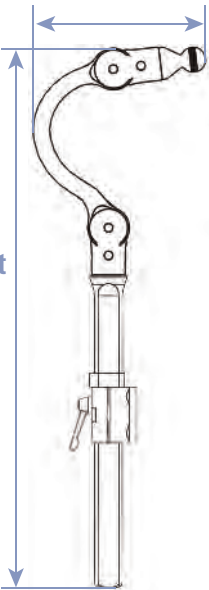
	Height	Horizontal Depth	Pitch	Mounting Holes	Mount Placement
Adult	6"	1 1/2" Forward 8" Rearward	45°	1 7/8" to 2" on center	3" min from top of chair back
Pediatric	6"	1 1/2" Forward 6" Rearward	45°	1 7/8" to 2" on center	3" min from top of chair back

COBRA

The COBRA Mounting System incorporates a sleek and unobtrusive design that eliminates protrusion toward the rear of the chair. With a superior strength and positioning range, the COBRA is available in three sizes. The components are modular and easily changed in the field to enable exact positioning of the support pad, even if the user's head position changes over time.



5" Adult
4-1/2" Peds
4" E. I.



15" Adult
11" Peds
10" E. I.

SPECIAL CONSIDERATIONS:

- All COBRA Mounting Systems are shipped with a detachable mounting bracket.
- The top of the COBRA vertical rod has an adjustable, locking rotator assembly to allow rotational adjustment as well as front-to-rear adjustment of the shepherd's crook-shaped forward adjustment rod (neck).
- Low profile design does not impede access from behind


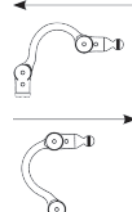
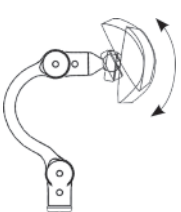
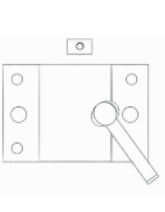
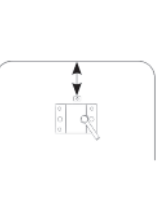
Material: Aluminum
Finish: Black Anodized

Profile Size: 1/2" X 7/8" bar and 1/2" rod
Early Intervention: 2 3/4" neck, 6 1/2" vertical rod
Pediatric: 4 1/2" neck, 9 1/4" vertical rod
Adult: 5 1/2" neck, 9 1/4" vertical rod

Adjustment Point: Two point adjustable, locking rotator assembly at intersection of vertical rod and neck plus one point adjustment at pad interface bracket

Mounting Brackets:

Detachable mounting bracket included with all COBRA Mounting Systems
Material: Aluminum extrusion
Finish: Black anodized

					
	Height	Horizontal Depth	Pitch	Mounting Holes	Mount Placement
Adult	6 1/2"	6 1/2" Forward 2" Rearward	30°	1 7/8" to 2" on center	5" min from top of chair back
Pediatric	3 1/2"	5" Forward 1 1/2" Rearward	30°	1 7/8" to 2" on center	5" min from top of chair back
Early Intervention	3 1/2"	4" Forward 1/2" Rearward	30°	1 7/8" to 2" on center	5" min from top of chair back

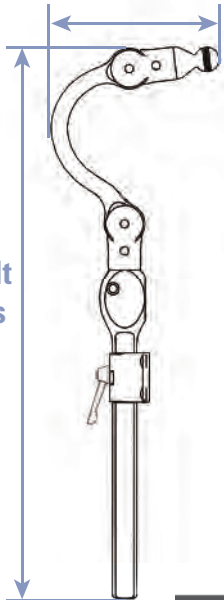
Part # Adult: CBRA7010
Part # Peds: CBRA7030
Part # E.I.: CBRA7080

COBRA FLIP-BACK

The COBRA Flip-Back is operated by a single push-button on the side of the bracket and neatly flips the assembly back behind the wheelchair back. With superior strength and positioning range, the COBRA Flip-Back is available in three sizes. The components are modular and easily changed in the field to enable exact positioning of the support pad, even if the user's head position changes over time.



5" Adult
4-1/2" Peds
4" E. I.



15" Adult
11" Peds
10" E. I.

SPECIAL CONSIDERATIONS:

- All COBRA Flip-Back Mounting Systems are shipped with a detachable mounting bracket.
- The top of the COBRA vertical rod has an adjustable, locking rotator assembly to allow rotational adjustment as well as front-to-rear adjustment of the shepherd's crook-shaped forward adjustment rod (neck).
- Low profile design does not impede access from behind.

Material: Aluminum
Finish: Black Anodized


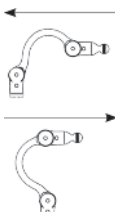
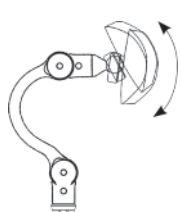
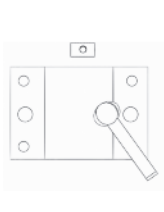
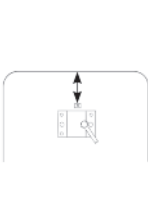
Profile Size: 1/2" X 7/8" bar and 1/2" rod
Early Intervention: 2 3/4" neck, 11" vertical rod
Pediatric: 4 1/2" neck, 11" vertical rod
Adult: 5 1/2" neck, 11" vertical Rod

Adjustment Point:

Two point adjustable, locking rotator assembly at intersection of vertical rod and neck plus one point adjustment at pad interface bracket

Mounting Brackets:

Detachable mounting bracket included with all COBRA Flip-Back Mounting Systems
Material: Aluminum extrusion
Finish: Black anodized

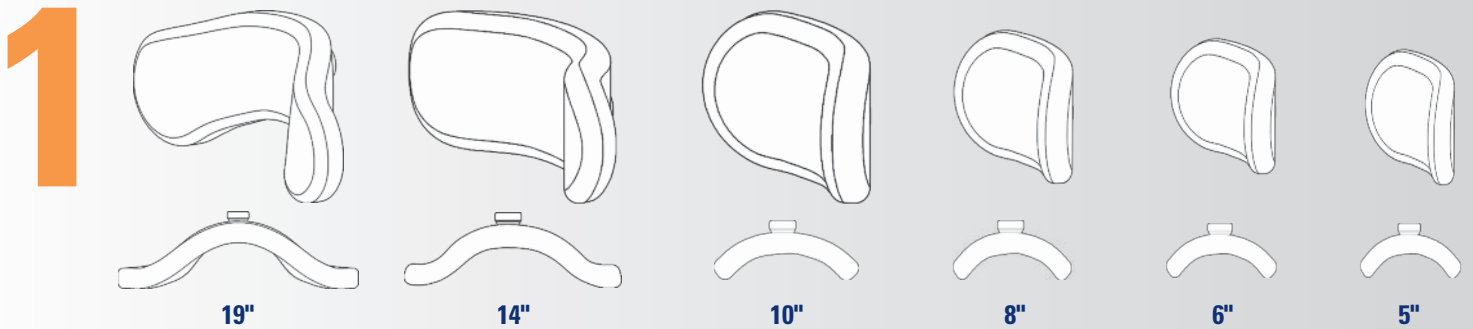
					
	Height	Horizontal Depth	Pitch	Mounting Holes	Mount Placement
Adult	5 1/2"	6 1/2" Forward 2" Rearward	30°	1 7/8" to 2" on center	5" min from top of chair back
Pediatric	2 1/2"	5" Forward 1 1/2" Rearward	30°	1 7/8" to 2" on center	5" min from top of chair back
Early Intervention	2 1/2"	4" Forward 1/2" Rearward	30°	1 7/8" to 2" on center	5" min from top of chair back

Part # Adult: CBRA5010
Part # Peds: CBRA5030
Part # E.I.: CBRA5080

ORDERING GUIDE

PLUSH ORDERING GUIDE

DETERMINE PAD SIZE



SELECT HARDWARE SYSTEM AND PAD COVER (BASED ON PAD SIZE)

2

Pad Size	AXYS	ONYX	LINX	LINX2	PRO	COBRA	COBRA Flip-Back
	Part Numbers (Cover selection: L=Lycra V=Dartex Reversed)						
19"	AXYS-P4 L AXYS-P4 V	ONYX-P4 L ONYX-P4 V	LINX-P4 L LINX-P4 V	LINX2-P4 L LINX2-P4 V	PRO-P4 L PRO-P4 V	COBRA-P4 L COBRA-P4 V	FB-COBRA-P4 L FB-COBRA-P4 V
14"	AXYS-P2 L AXYS-P2 V	ONYX-P2 L ONYX-P2 V	LINX-P2 L LINX-P2 V	LINX2-P2 L LINX2-P2 V	PRO-P2 L PRO-P2 V	COBRA-P2 L COBRA-P2 V	FB-COBRA-P2 L FB-COBRA-P2 V
10"	AXYS-P1 L AXYS-P1 V	ONYX-P1 L ONYX-P1 V	LINX-P1 L LINX-P1 V	LINX2-P1 L LINX2-P1 V	PRO-P1 L PRO-P1 V	COBRA-P1 L COBRA-P1 V	FB-COBRA-P1 L FB-COBRA-P1 V
8"	AXYS-P3 L AXYS-P3 V	ONYX-P3 L ONYX-P3 V	LINX-P3 L LINX-P3 V	LINX2-P3 L LINX2-P3 V	PRO-P3 L PRO-P3 V	COBRA-P3 L COBRA-P3 V	FB-COBRA-P3 L FB-COBRA-P3 V
6"	AXYS-P8 L AXYS-P8 V	ONYX-P8 L ONYX-P8 V	LINX-P8 L LINX-P8 V	LINX2-P8 L LINX2-P8 V	PRO-P8 L PRO-P8 V	COBRA-P8 L COBRA-P8 V	FB-COBRA-P8 L FB-COBRA-P8 V
6" *	AXYS-P6 L AXYS-P6 V	ONYX-P6 L ONYX-P6 V	LINX-P6 L LINX-P6 V	LINX2-P6 L LINX2-P6 V	PRO-P6 L PRO-P6 V	COBRA-P6 L COBRA-P6 V	FB-COBRA-P6 L FB-COBRA-P6 V
5" *	AXYS-P5 L AXYS-P5 V	ONYX-P5 L ONYX-P5 V	LINX-P5 L LINX-P5 V	LINX2-P5 L LINX2-P5 V	PRO-P5 L PRO-P5 V	COBRA-P5 L COBRA-P5 V	FB-COBRA-P5 L FB-COBRA-P5 V

*Utilizes neoprene foam for a thinner pad.

SELECT MOUNTING BRACKET FOR HARDWARE SYSTEM

3

Mounting Brackets					
Detachable					COBRA Hardware System includes detachable mounting bracket.
	M2500	M2100-WB	M2300	M2200-WB	
Swing-Away					Select COBRA Flip-Back Hardware System for swing-away capability.
	M5500	M5100	M5300	M5200	

SPECIALTY PLUSH ORDERING GUIDE

DETERMINE PAD SIZE



*The Dual Mount PLUSH Systems require TWO mounting brackets.

**Also available in Dual Mount.

SELECT HARDWARE SYSTEM AND PAD COVER (BASED ON PAD SIZE)

2

	AXYS	ONYX	LINX	LINX2	PRO	COBRA	COBRA Flip-Back
Pad Size							
	Part Numbers (Cover selection: L=Lycra V=Dartex Reversed)						
19" Dual	AXYS-P44 L AXYS-P44 V	ONYX-P44 L ONYX-P44 V	LINX-P44 L LINX-P44 V	LINX2-P44 L LINX2-P44 V	PRO-P44 L PRO-P44 V	N/A	N/A
14" Dual	AXYS-P22 L AXYS-P22 V	ONYX-P22 L ONYX-P22 V	LINX-P22 L LINX-P22 V	LINX2-P22 L LINX2-P22 V	PRO-P22 L PRO-P22 V	N/A	N/A
12" Narrow	AXYS-P12 L AXYS-P12 V	ONYX-P12 L ONYX-P12 V	LINX-P12 L LINX-P12 V	LINX2-P12 L LINX2-P12 V	PRO-P12 L PRO-P12 V	COBRA-P12 L COBRA-P12 V	FB-COBRA-P12 L FB-COBRA-P12 V
A-A-P Std	AXYS-AP22 L AXYS-AP22 V	ONYX-AP22 L ONYX-AP22 V	LINX-AP22 L LINX-AP22 V	LINX2-AP22 L LINX2-AP22 V	PRO-AP22 L PRO-AP22 V	COBRA-AP22 L COBRA-AP22 V	FB-COBRA-AP22 L FB-COBRA-AP22 V
A-A-P Med	AXYS-AP33 L AXYS-AP33 V	ONYX-AP33 L ONYX-AP33 V	LINX-AP33 L LINX-AP33 V	LINX2-AP33 L LINX2-AP33 V	PRO-AP33 L PRO-AP33 V	COBRA-AP33 L COBRA-AP33 V	FB-COBRA-AP33 L FB-COBRA-AP33 V
A-A-P Narrow	AXYS-AP11 L AXYS-AP11 V	ONYX-AP11 L ONYX-AP11 V	LINX-AP11 L LINX-AP11 V	LINX2-AP11 L LINX2-AP11 V	PRO-AP11 L PRO-AP11 V	COBRA-AP11 L COBRA-AP11 V	FB-COBRA-AP11 L FB-COBRA-AP11 V

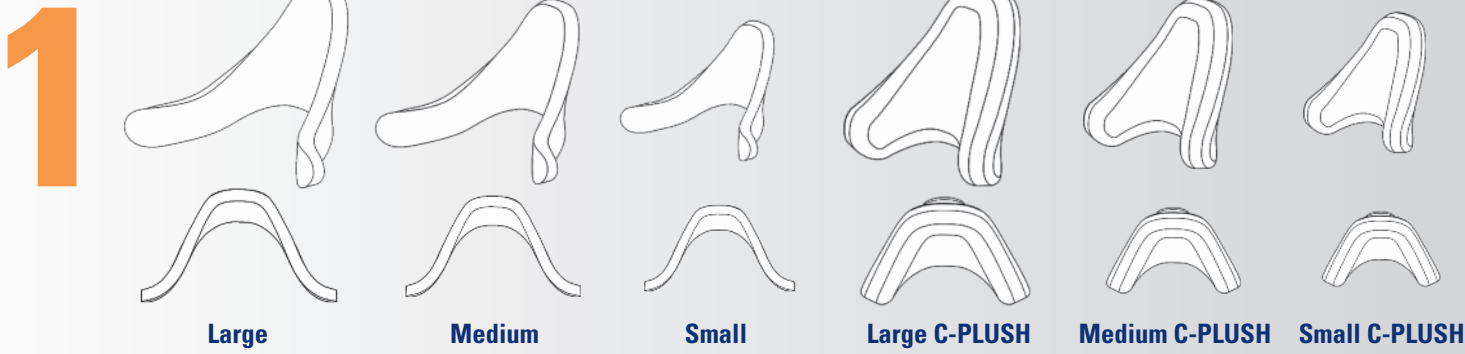
SELECT MOUNTING BRACKET FOR HARDWARE SYSTEM

3

	Mounting Brackets				
Detachable					COBRA Hardware System includes detachable mounting bracket.
	M2500	M2100-WB	M2300	M2200-WB	
Swing-Away					Select COBRA Flip-Back Hardware System for swing-away capability.
	M5500	M5100	M5300	M5200	

CONTOURED CRADLE ORDERING GUIDE

DETERMINE PAD SIZE



SELECT HARDWARE SYSTEM AND PAD COVER (BASED ON PAD SIZE)

2

	AXYS	ONYX	LINX	LINX2	PRO	COBRA	COBRA Flip-Back
	Part Numbers (Cover selection: L=Lycra V=Dartex Reversed)						
Large	AXYS-CCS4 L AXYS-CCS4 V	ONYX-CCS4 L ONYX-CCS4 V	LINX-CCS4 L LINX-CCS4 V	LINX2-CCS4 L LINX2-CCS4 V	PRO-CCS4 L PRO-CCS4 V	COBRA-CCS4 L COBRA-CCS4 V	FB-COBRA-CCS4 L FB-COBRA-CCS4 V
Med	AXYS-CCS3 L AXYS-CCS3 V	ONYX-CCS3 L ONYX-CCS3 V	LINX-CCS3 L LINX-CCS3 V	LINX2-CCS3 L LINX2-CCS3 V	PRO-CCS3 L PRO-CCS3 V	COBRA-CCS3 L COBRA-CCS3 V	FB-COBRA-CCS3 L FB-COBRA-CCS3 V
Small	AXYS-CCS2 L AXYS-CCS2 V	ONYX-CCS2 L ONYX-CCS2 V	LINX-CCS2 L LINX-CCS2 V	LINX2-CCS2 L LINX2-CCS2 V	PRO-CCS2 L PRO-CCS2 V	COBRA-CCS2 L COBRA-CCS2 V	FB-COBRA-CCS2 L FB-COBRA-CCS2 V
Large C-PLUSH	AXYS-CCP4 L AXYS-CCP4 V	ONYX-CCP4 L ONYX-CCP4 V	LINX-CCP4 L LINX-CCP4 V	LINX2-CCP4 L LINX2-CCP4 V	PRO-CCP4 L PRO-CCP4 V	COBRA-CCP4 L COBRA-CCP4 V	FB-COBRA-CCP4 L FB-COBRA-CCP4 V
Med C-PLUSH	AXYS-CCP3 L AXYS-CCP3 V	ONYX-CCP3 L ONYX-CCP3 V	LINX-CCP3 L LINX-CCP3 V	LINX2-CCP3 L LINX2-CCP3 V	PRO-CCP3 L PRO-CCP3 V	COBRA-CCP3 L COBRA-CCP3 V	FB-COBRA-CCP3 L FB-COBRA-CCP3 V
Small C-PLUSH	AXYS-CCP2 L AXYS-CCP2 V	ONYX-CCP2 L ONYX-CCP2 V	LINX-CCP2 L LINX-CCP2 V	LINX2-CCP2 L LINX2-CCP2 V	PRO-CCP2 L PRO-CCP2 V	COBRA-CCP2 L COBRA-CCP2 V	FB-COBRA-CCP2 L FB-COBRA-CCP2 V

SELECT MOUNTING BRACKET FOR HARDWARE SYSTEM

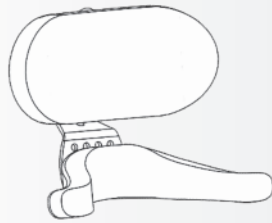
3

	Mounting Brackets				
Detachable					COBRA Hardware System includes detachable mounting bracket.
	M2500	M2100-WB	M2300	M2200-WB	
Swing-Away					Select COBRA Flip-Back Hardware System for swing-away capability.
	M5500	M5100	M5300	M5200	

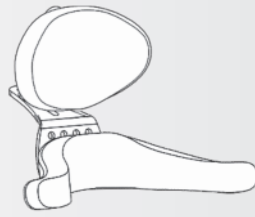
S.O.F.T. SINGLE ORDERING GUIDE

DETERMINE PAD SIZE

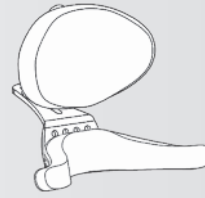
1



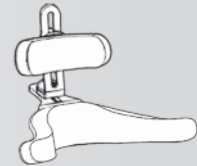
SS10
10" PLUSH occipital
w/Adult Single Sub-occipital



SS8
Adult occipital
w/Adult Single Sub-occipital



SS4
Adult occipital w/Pediatric
Single Sub-occipital



SS3
Pediatric occipital w/Pediatric
Single Sub-occipital

SELECT HARDWARE SYSTEM AND PAD COVER (BASED ON PAD SIZE)

2

	AXYS	ONYX	LINX	LINX2	PRO	COBRA	COBRA Flip-Back
Pad Size	Part Numbers (Cover selection: L=Lycra V=Dartex Reversed)						
SS10	AXYS-SS10 L AXYS-SS10 V	ONYX-SS10 L ONYX-SS10 V	LINX-SS10 L LINX-SS10 V	LINX2-SS10 L LINX2-SS10 V	PRO-SS10 L PRO-SS10 V	COBRA-SS10 L COBRA-SS10 V	FB-COBRA-SS10 L FB-COBRA-SS10 V
SS8	AXYS-SS8 L AXYS-SS8 V	ONYX-SS8 L ONYX-SS8 V	LINX-SS8 L LINX-SS8 V	LINX2-SS8 L LINX2-SS8 V	PRO-SS8 L PRO-SS8 V	COBRA-SS8 L COBRA-SS8 V	FB-COBRA-SS8 L FB-COBRA-SS8 V
SS4	AXYS-SS4 L AXYS-SS4 V	ONYX-SS4 L ONYX-SS4 V	LINX-SS4 L LINX-SS4 V	LINX2-SS4 L LINX2-SS4 V	PRO-SS4 L PRO-SS4 V	COBRA-SS4 L COBRA-SS4 V	FB-COBRA-SS4 L FB-COBRA-SS4 V
SS3	AXYS-SS3 L AXYS-SS3 V	ONYX-SS3 L ONYX-SS3 V	LINX-SS3 L LINX-SS3 V	LINX2-SS3 L LINX2-SS3 V	PRO-SS3 L PRO-SS3 V	COBRA-SS3 L COBRA-SS3 V	FB-COBRA-SS3 L FB-COBRA-SS3 V

SELECT MOUNTING BRACKET FOR HARDWARE SYSTEM

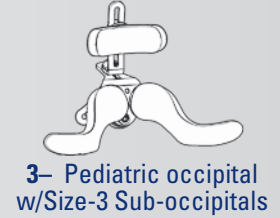
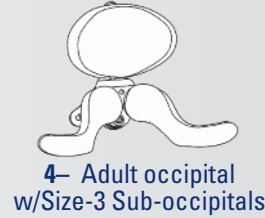
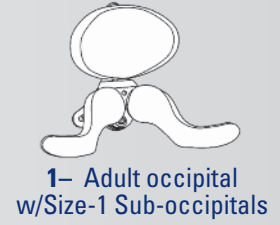
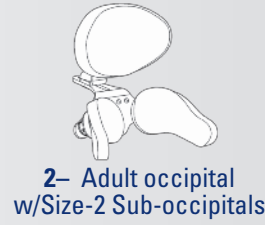
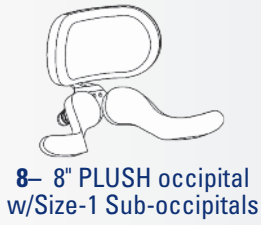
3

	Mounting Brackets				
Detachable					COBRA Hardware System includes detachable mounting bracket.
	M2500	M2100-WB	M2300	M2200-WB	
Swing-Away					Select COBRA Flip-Back Hardware System for swing-away capability.
	M5500	M5100	M5300	M5200	

S.O.F.T. DUAL ORDERING GUIDE

DETERMINE PAD SIZE

1



SELECT HARDWARE SYSTEM AND PAD COVER (BASED ON PAD SIZE)

2

Pad Size	AXYS	ONYX	LINX	LINX2	PRO	COBRA	COBRA Flip-Back
	Part Numbers (Cover selection: L=Lycra V=Dartex Reversed)						
8	AXYS-8 L	ONYX-8 L	LINX-8 L	LINX2-8 L	PRO-8 L	COBRA-8 L	FB-COBRA-8 L
	AXYS-8 V	ONYX-8 V	LINX-8 V	LINX2-8 V	PRO-8 V	COBRA-8 V	FB-COBRA-8 V
5	AXYS-5 L	ONYX-5 L	LINX-5 L	LINX2-5 L	PRO-5 L	COBRA-5 L	FB-COBRA-5 L
	AXYS-5 V	ONYX-5 V	LINX-5 V	LINX2-5 V	PRO-5 V	COBRA-5 V	FB-COBRA-5 V
2	AXYS-2 L	ONYX-2 L	LINX-2 L	LINX2-2 L	PRO-2 L	COBRA-2 L	FB-COBRA-2 L
	AXYS-2 V	ONYX-2 V	LINX-2 V	LINX2-2 V	PRO-2 V	COBRA-2 V	FB-COBRA-2 V
1	AXYS-1 L	ONYX-1 L	LINX-1 L	LINX2-1 L	PRO-1 L	COBRA-1 L	FB-COBRA-1 L
	AXYS-1 V	ONYX-1 V	LINX-1 V	LINX2-1 V	PRO-1 V	COBRA-1 V	FB-COBRA-1 V
7	AXYS-7 L	ONYX-7 L	LINX-7 L	LINX2-7 L	PRO-7 L	COBRA-7 L	FB-COBRA-7 L
	AXYS-7 V	ONYX-7 V	LINX-7 V	LINX2-7 V	PRO-7 V	COBRA-7 V	FB-COBRA-7 V
6	AXYS-6 L	ONYX-6 L	LINX-6 L	LINX2-6 L	PRO-6 L	COBRA-6 L	FB-COBRA-6 L
	AXYS-6 V	ONYX-6 V	LINX-6 V	LINX2-6 V	PRO-6 V	COBRA-6 V	FB-COBRA-6 V
4	AXYS-4 L	ONYX-4 L	LINX-4 L	LINX2-4 L	PRO-4 L	COBRA-4 L	FB-COBRA-4 L
	AXYS-4 V	ONYX-4 V	LINX-4 V	LINX2-4 V	PRO-4 V	COBRA-4 V	FB-COBRA-4 V
3	AXYS-3 L	ONYX-3 L	LINX-3 L	LINX2-3 L	PRO-3 L	COBRA-3 L	FB-COBRA-3 L
	AXYS-3 V	ONYX-3 V	LINX-3 V	LINX2-3 V	PRO-3 V	COBRA-3 V	FB-COBRA-3 V

SELECT MOUNTING BRACKET FOR HARDWARE SYSTEM

3

		Mounting Brackets				
Detachable					COBRA Hardware System includes detachable mounting bracket.	
	M2500	M2100-WB	M2300	M2200-WB		
Swing-Away					Select COBRA Flip-Back Hardware System for swing-away capability.	
	M5500	M5100	M5300	M5200		

CUDDLES INFANT ORDERING GUIDE

DETERMINE PAD SIZE

1



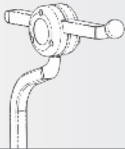

**S.O.F.T. Infant Occipital
w/Infant Sub-occipitals**



**CCS Infant Contoured
Cradle Pad**

SELECT HARDWARE SYSTEM AND PAD COVER (BASED ON PAD SIZE)

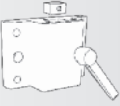

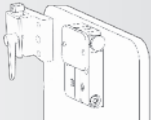
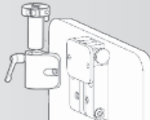
2

		AXYS	ONYX
Pad Size			
Part Numbers			
S.O.F.T.		AXYS-INFT L AXYS-INFT V	ONYX-INFT L ONYX-INFT V
CCS		AXYS-CCS1 L AXYS-CCS1 V	ONYX-CCS1 L ONYX-CCS1 V

Cover selection:
L=Lycra
V=Dartex Reversed

SELECT MOUNTING BRACKET FOR HARDWARE SYSTEM

3

		Mounting Brackets	
Detachable			
	M2500	M2100-WB	
Swing-Away			
	M5500	M5100	

HEADS UP ORDERING GUIDE

The Heads Up features easy to create Smart Part numbers for configuring the headrest. Follow the 8 easy steps below to generate a head support part # and mounting bracket that can be added into our online ordering system or ordered through Customer Service.

EXAMPLE SMART PART #: **AXYS-HU-ITSSL:** Heads Up with **AXYS** Hardware - Infant Size, Tall Height, + Short Arms, Standard Foam, Lycra (Neoprene) Cover
M2500: **AXYS** Mounting Bracket

1 SELECT HARDWARE SYSTEM Begin part # with hardware selection followed by -HU for Heads Up

AXYS	ONYX	LINX	LINX2	PRO	COBRA	COBRA Flip-Back
AXYS-HU-	ONYX-HU-	LINX-HU-	LINX2-HU-	PRO-HU-	COBRA-HU-	FBCOB-HU-

2 SELECT NECK WIDTH (MAXIMUM) Add Selection to Smart Part

Infant (2.8")	Small (3.5")	Medium (4.1")	Large (5.3")
I	S	M	L



3 SELECT PAD HEIGHT Add Selection to Smart Part

Tall	Short
T	S



4 SELECT SWING-OUT SUPPORT ARM LENGTH Add Selection to Smart Part

Short	Long
S	L



Infant & Small	Medium & Large
Short: 5.6"	Short: 7"
Long: 7.3"	Long: 9"

5 SELECT FOAM TYPE Add Selection to Smart Part

Standard	Comfort
S	C

	Infant	Small	Medium	Large
Standard	0.4"	0.5"	0.6"	0.7"
Comfort	0.6"	0.6"	0.8"	0.9"

6 SELECT COVER Add Selection to Smart Part

Lycra (Neoprene)	Reversed Dartex
L	V

IF YOU DO NOT WANT TO ADD AN OCCIPITAL PAD, YOUR PART NUMBER FOR THE HEAD SUPPORT IS COMPLETE. PLEASE PROCEED TO STEP 8 TO SELECT MOUNTING BRACKET.

7 SELECT OPTIONAL OCCIPITAL PAD* Add Selection to Smart Part

Pediatric 5" Pad (for Short Infant size)	Adult 6" Pad (for Short Small size)	Plush 8" Pad (for Short Medium size)	Plush 10" Pad (for Short Large size)
-O5	-O6	-O8	-O10

*Available on short heights only.

*Please note the above codes begin with the letter 'O' and not the number '0'.

8 SELECT MOUNTING BRACKET Add part # separate from the Smart Part

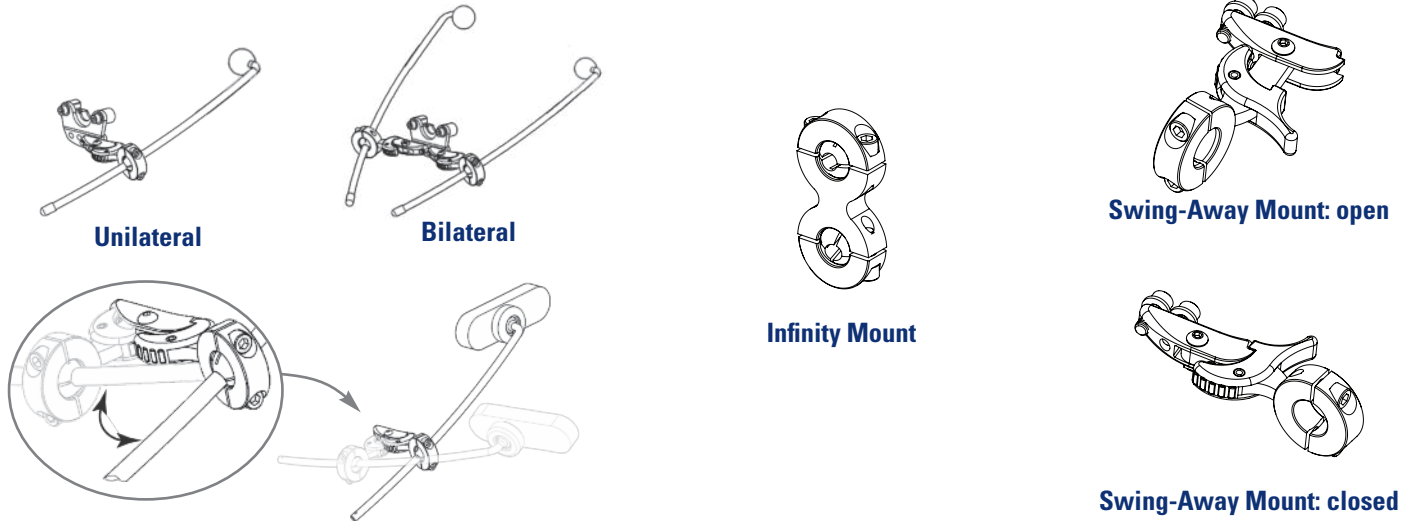
Mounting Brackets for:						
	AXYS	ONYX	LINX & LINX2	PRO	COBRA	COBRA Flip-Back
Detachable	M2500	M2100-WB	M2300	M2200-WB	COBRA Hardware System includes detachable mounting bracket.	
Swing-Away	M5500	M5100	M5300	M5200	Select COBRA Flip-Back Hardware System for swing-away capability.	

LATERAL FACIAL SUPPORTS

Lateral Facial Pads can be configured to accommodate or block lateral flexion deviations and/or rotation patterns, or function to supply general support surfaces or switch placement above the cervical level. A rearward mounting hardware pivot point allows the pads to move out-of-the-way during transfers or when not in use. Curved ball rods allow placement of pads around the head laterally or anteriorly. A choice of 7 uniquely shaped pad sizes, 5 of which are malleable, ensure the ability to match the pad with the area needing support.

Part numbers for the pads and hardware are listed below.
Hardware is swing-away and must be ordered with the pad part number.

NOTE: All lateral supports come with swing-away hardware



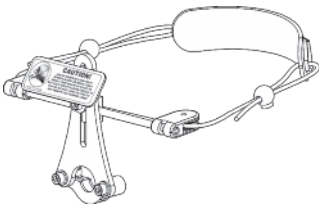
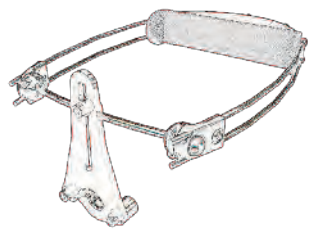
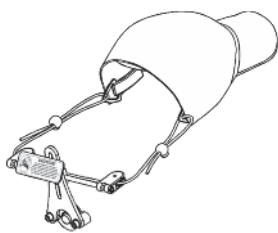
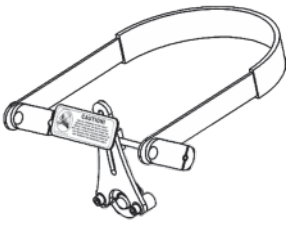
SPOT	STANDARD	LONG	OVAL	LARGE-C	MED-C	SMALL-C	FSO-B

Part Numbers Cover selection: Add L=Lycra or V=Dartex Reversed. Example: LFC-PLL

	SPOT	STANDARD	LONG	OVAL	LARGE-C	MED-C	SMALL-C	FSO-B
UniLateral	Plush & Spec.Plush LFC10-PL & LM115	Plush & Spec.Plush LFC15-PL & LM115	Plush & Spec.Plush LFC20-PL & LM115	Plush & Spec.Plush LFC25-PL & LM115	Plush & Spec.Plush LFC30-PL & LM115	Plush & Spec.Plush LFC35-PL & LM115	Plush & Spec.Plush LFC40-PL & LM115	Plush & Spec.Plush LFC80-PL & LM115
	Cont.Cradle/Heads Up LFC10-CS & LM115	Cont.Cradle/Heads Up LFC15-CS & LM115	Cont.Cradle/Heads Up LFC20-CS & LM115	Cont.Cradle/Heads Up LFC25-CS & LM115	Cont.Cradle/Heads Up LFC30-CS & LM115	Cont.Cradle/Heads Up LFC35-CS & LM115	Cont.Cradle/Heads Up LFC40-CS & LM115	Cont.Cradle/Heads Up LFC80-CS & LM115
	S.O.F.T. Single,Adult/Peds LFC10 & LM115	S.O.F.T. Single,Adult/Peds LFC15 & LM115	S.O.F.T. Single,Adult/Peds LFC20 & LM115	S.O.F.T. Single,Adult/Peds LFC25 & LM115	S.O.F.T. Single,Adult/Peds LFC30 & LM115	S.O.F.T. Single,Adult/Peds LFC35 & LM115	S.O.F.T. Single,Adult/Peds LFC40 & LM115	S.O.F.T. Single,Adult/Peds LFC80 & LM115
BiLateral	Plush & Spec.Plush LFC10-PL2 & (2) LM115	Plush & Spec.Plush LFC15-PL2 & (2) LM115	Plush & Spec.Plush LFC20-PL2 & (2) LM115	Plush & Spec.Plush LFC25-PL2 & (2) LM115	Plush & Spec.Plush LFC30-PL2 & (2) LM115	Plush & Spec.Plush LFC35-PL2 & (2) LM115	Plush & Spec.Plush LFC40-PL2 & (2) LM115	Plush & Spec.Plush LFC80-PL2 & (2) LM115
	Cont.Cradle/Heads Up LFC10-CS2 & (2) LM115	Cont.Cradle/Heads Up LFC15-CS2 & (2) LM115	Cont.Cradle/Heads Up LFC20-CS2 & (2) LM115	Cont.Cradle/Heads Up LFC25-CS2 & (2) LM115	Cont.Cradle/Heads Up LFC30-CS2 & (2) LM115	Cont.Cradle/Heads Up LFC35-CS2 & (2) LM115	Cont.Cradle/Heads Up LFC40-CS2 & (2) LM115	Cont.Cradle/Heads Up LFC80-CS2 & (2) LM115
	S.O.F.T. Single,Adult/Peds (2) LFC10 & (2) LM115	S.O.F.T. Single,Adult/Peds (2) LFC15 & (2) LM115	S.O.F.T. Single,Adult/Peds (2) LFC20 & (2) LM115	S.O.F.T. Single,Adult/Peds (2) LFC25 & (2) LM115	S.O.F.T. Single,Adult/Peds (2) LFC30 & (2) LM115	S.O.F.T. Single,Adult/Peds (2) LFC35 & (2) LM115	S.O.F.T. Single,Adult/Peds (2) LFC40 & (2) LM115	S.O.F.T. Single,Adult/Peds (2) LFC80 & (2) LM115

ANTERIOR SUPPORT OPTIONS

Anterior Supports are excellent for low tone individuals with poor head balance, individuals exhibiting forward flexion patterns, or individuals who require an upright head position for medical reasons, i.e. compromised respiration and swallowing. Successfully used for task oriented applications such as classroom interaction or during meals. The addition of a Strap Cap brings a low profile solution to anterior support for individuals who may not be successful with the strap.

	DYNAMIC FOREHEAD STRAP	DFS ²	STRAP CAP	STATIC FOREHEAD STRAP
				
	Part Numbers			
Adult	DFS10	DFSQ10	CAP10 (black)	HU10
Peds	DFS30	DFSQ30	CAP30-R (red) CAP30-B (blue)	HU10

TOOLS

Whitmyer has created tools to aid in the adjustment of headrest bolts and hardware.



BOLT LUBE

The Whitmyer Bolt Lube aids in the tightening of hardware, and helps keep bolts secure.

Part Number: BOLT LUBE

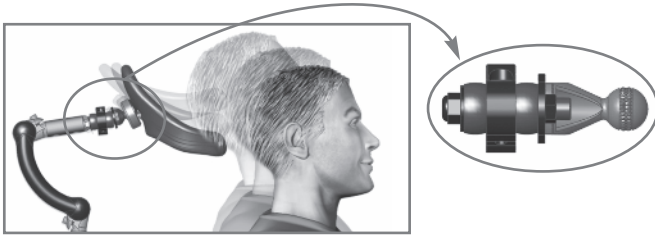


TOOL KIT

The Whitmyer Tool Kit conveniently provides all the adjustment tools you need in one place.

Part Number: T2500

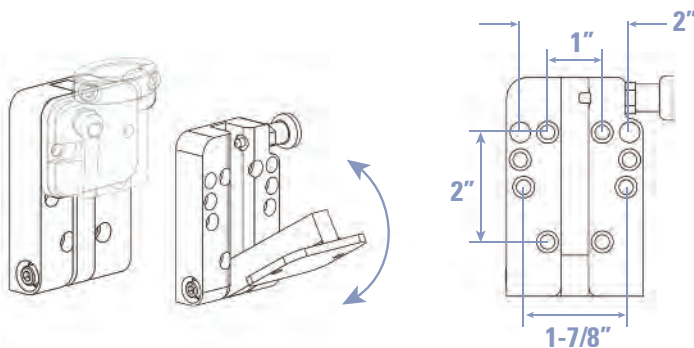
MODIFIED MOUNTING OPTIONS



FLEX INTERFACE BRACKET

The Flex Interface Bracket provides upward flex, travel, and return when the head support is extended against. This dynamic motion assists in maintaining head support contact throughout the user's extensor pattern. The Flex Interface Bracket utilizes elastomeric bushings engineered to supply the correct resistance-to-force while allowing the head support to return to the adjusted position. Used between the head support mount and contact surface, the Flex Interface Bracket can be used with most Whitmyer head support accessories.

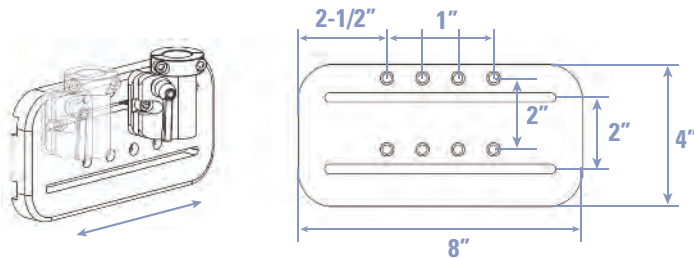
Part Numbers: M9450 (Hard), M9451 (Soft)



UNIVERSAL SWING-AWAY MOUNT

Whitmyer detach brackets attach to our universal swing-away mount. When attached to the swing-away mount, the assembly becomes a combination detach/swing-away mounting bracket.

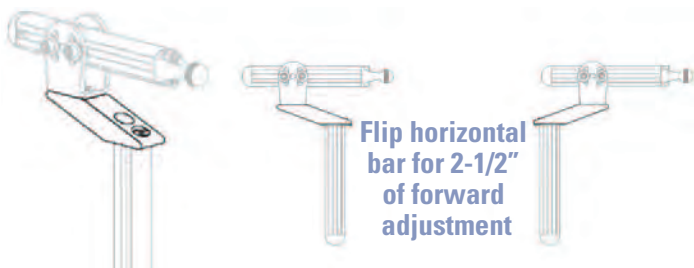
Part Number: M5000



SLIDE MOUNT

This slotted plastic plate allows the headrest/head support to be positioned in a more perpendicular fashion behind the head of individuals who present with a significant amount of asymmetry. The plate bolts into the chair's existing hole pattern and allows 4" of movement left or right. Perfect for trying off-set head support locations, adjusting for misplaced T-nut locations and relocating the head support to be more in line with the direction of applied forces.

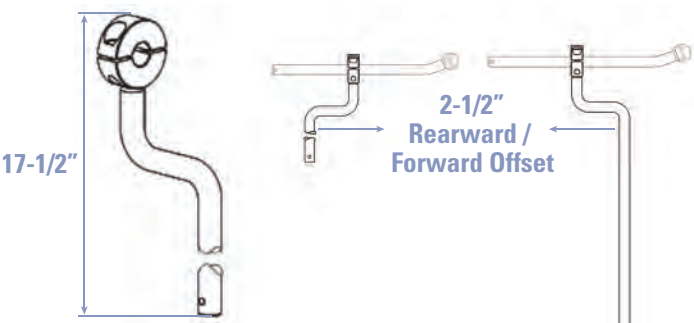
Part Number: M7010



PRO OFF-SET MOUNTING SYSTEM

PRO system off-set bracket provides 2-1/2" of rearward adjustment to the horizontal bar. Flipping the horizontal bar will also allow for 2-1/2" of forward adjustment.

Part Number: PRC7070



ONYX REARWARD OFF-SET VERTICAL ROD

ONYX off-set vertical rod provides 2-1/2" of rearward/forward adjustment to the horizontal rod.

Part Number: OX6030



WHITMYER®